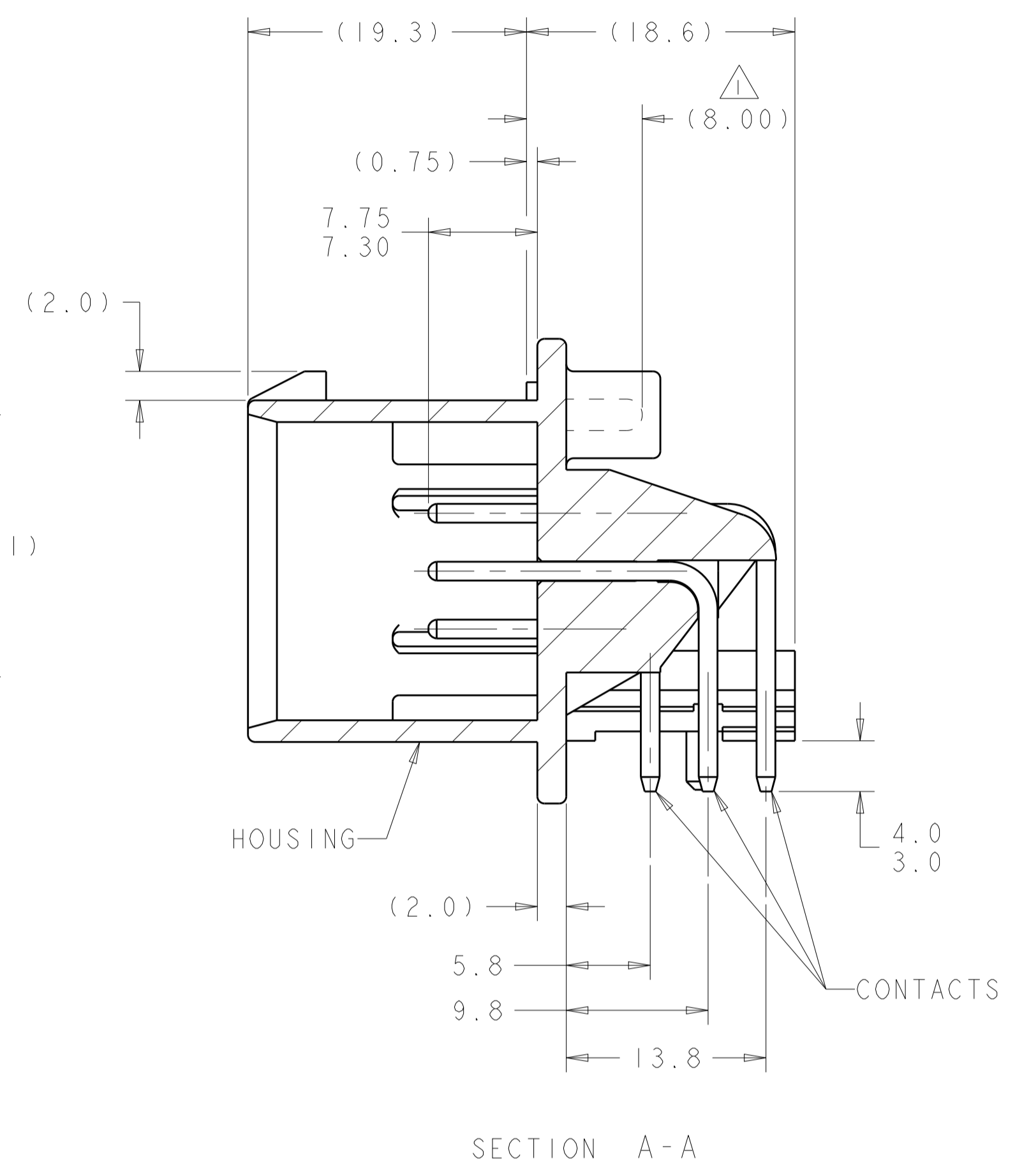
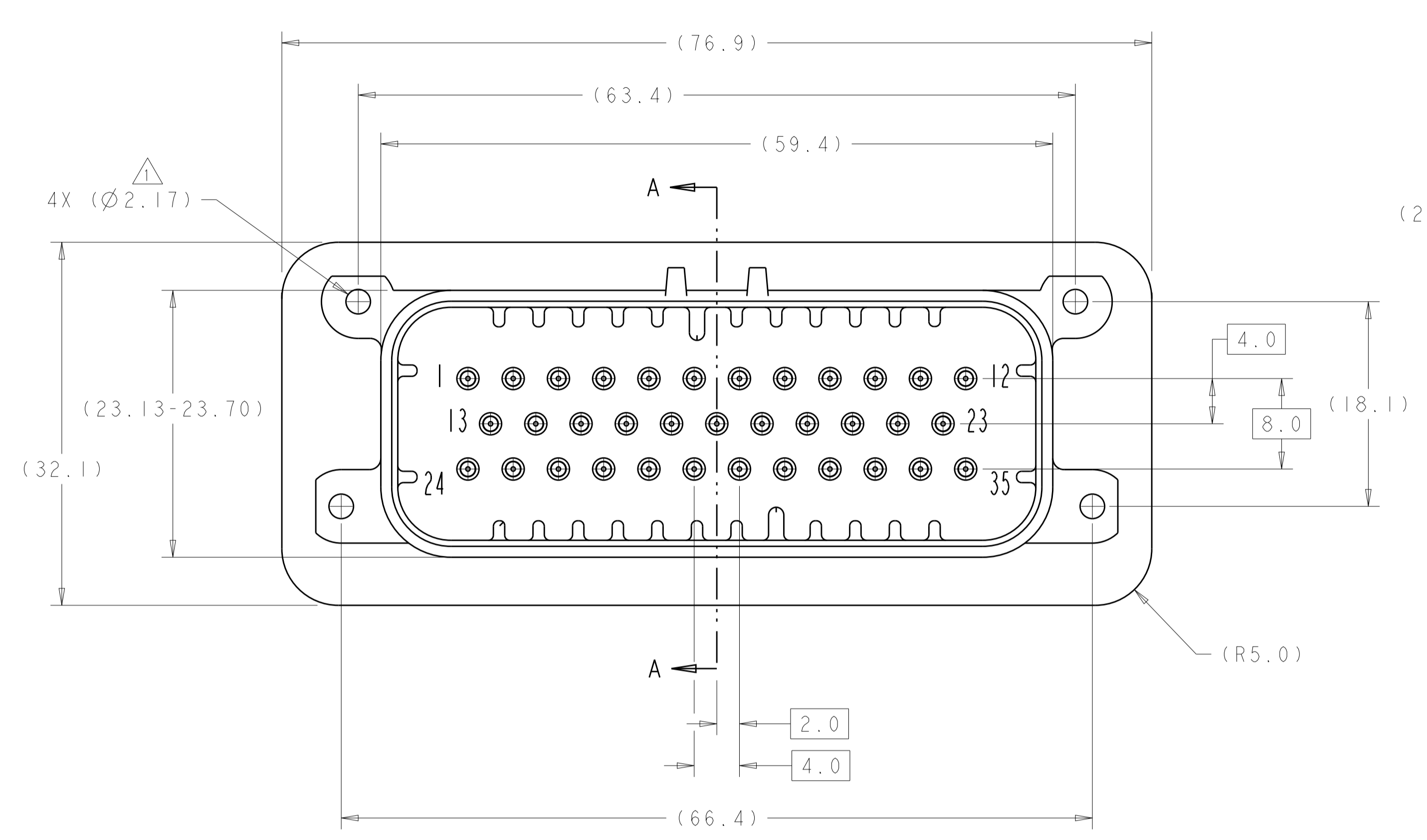
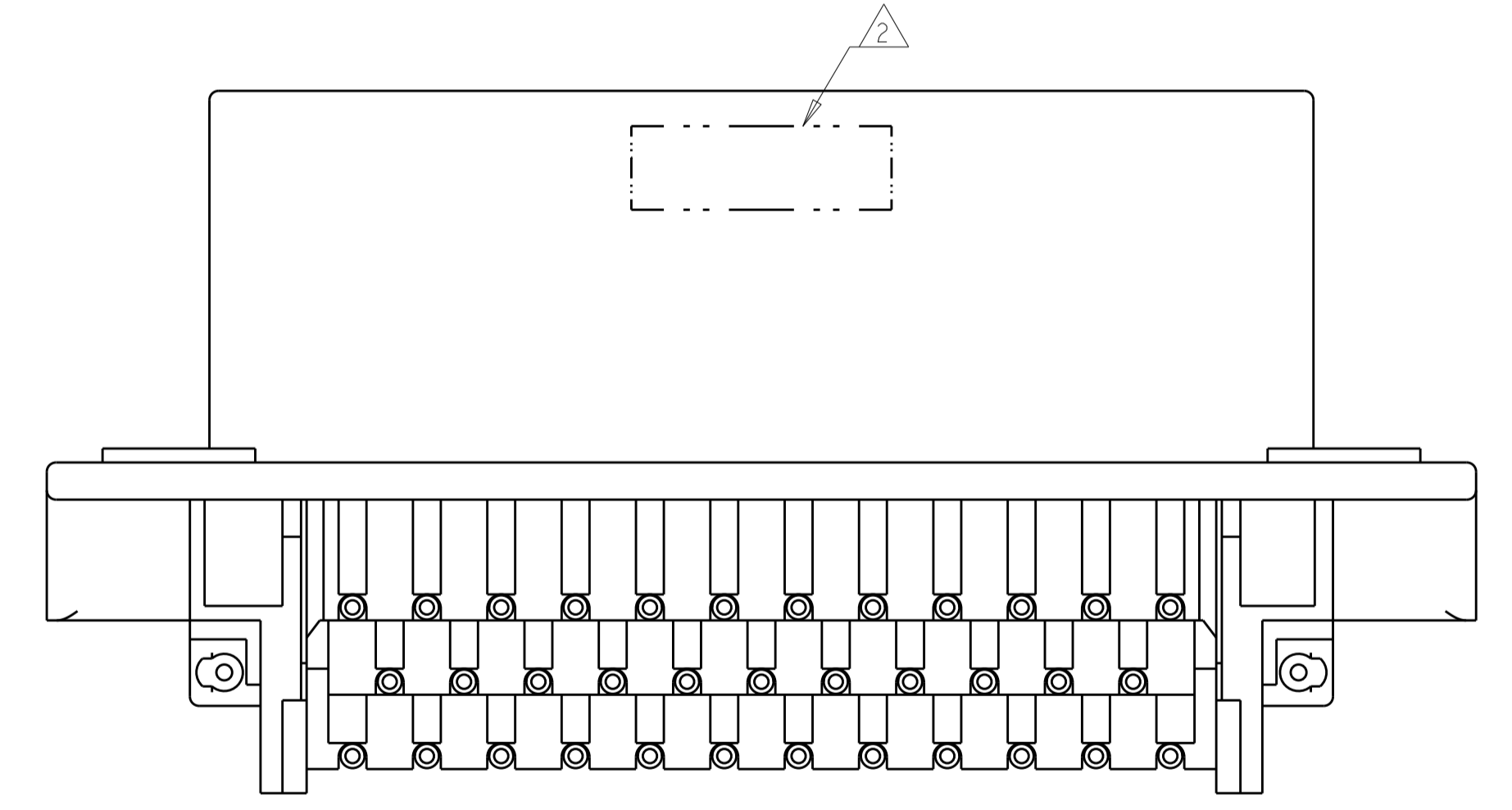


REVISIONS				
P.	LTN	DESCRIPTION	DATE	APVD
H4		REVISED PER ECO-13-019430	10DEC2013	DD DS
H5		REVISED PER ECO-15-000177	30JAN2015	DD DS
H6		REVISED PER ECO-15-003872	25MAR2015	DD DS
H7		REVISED PER ECO-16-003526	09MAR2016	JM DS



- 1 ACCEPTS #3 SELF TAPPING THREAD FORMING SCREW OR METRIC EQUIVALENT TO BE DRIVEN AT 0.6-0.8N-m
- 2 DATE CODE IN THIS LOCATION USING 5 DIGIT CODE  
FIRST 2 DIGITS = YEAR, SECOND 2 DIGITS = WEEK  
LAST DIGIT = DAY
- 3 HOUSING COLORS ARE MECHANICALLY KEYED TO MATE ONLY WITH IDENTICALLY COLORED PLUG ASSEMBLIES.
- 4 MATERIAL: HEADER HOUSING - GLASS FILLED PBT  
PINS - TIN OR GOLD PLATED BRASS
- 5. HEADER MATES TO PLUG ASSEMBLY 776164 WHICH USES REELED TERMINAL 770520 OR LOOSE PIECE TERMINAL 770854

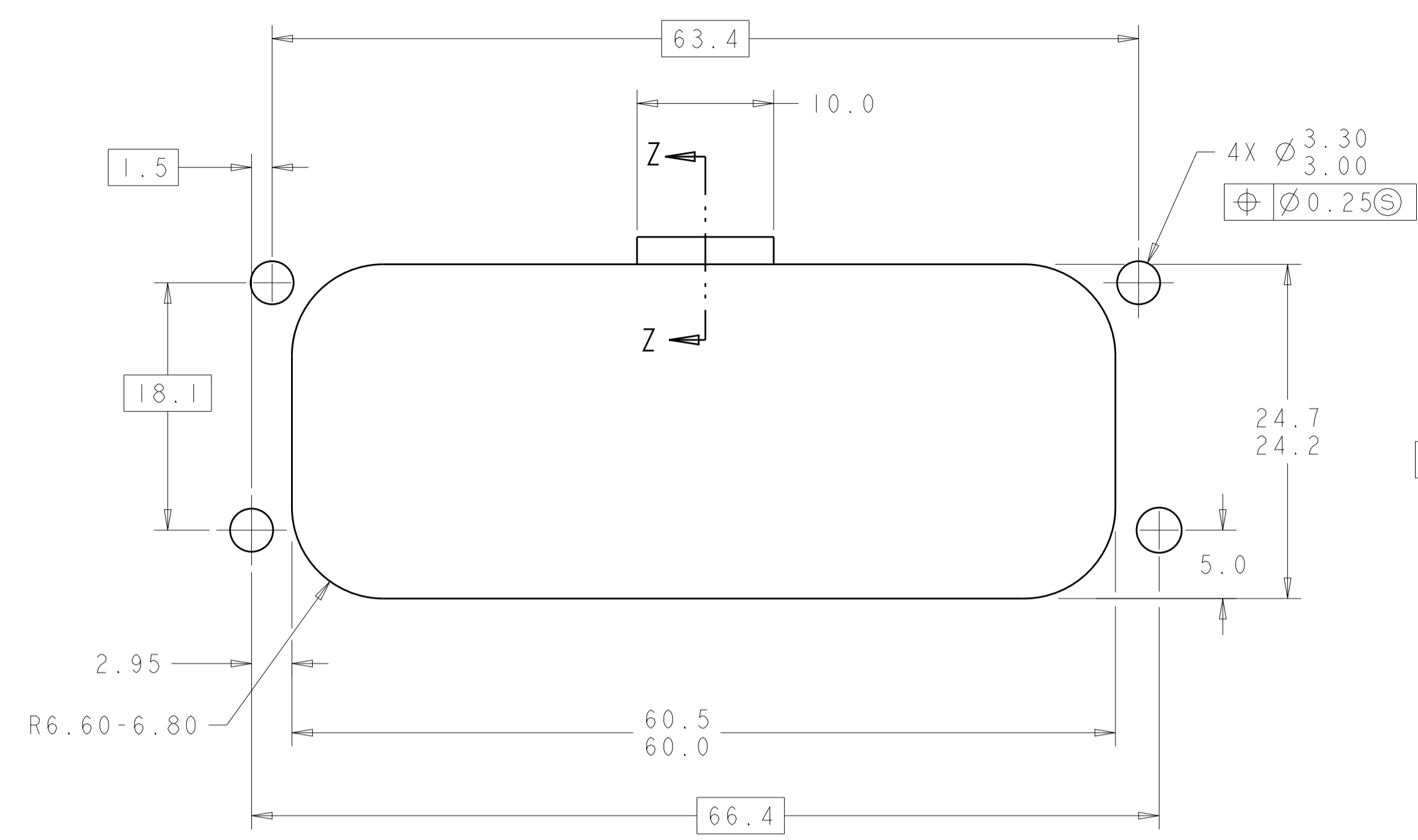


776180-1 & 1-776180-1  
 KEY LOCATION AS SHOWN

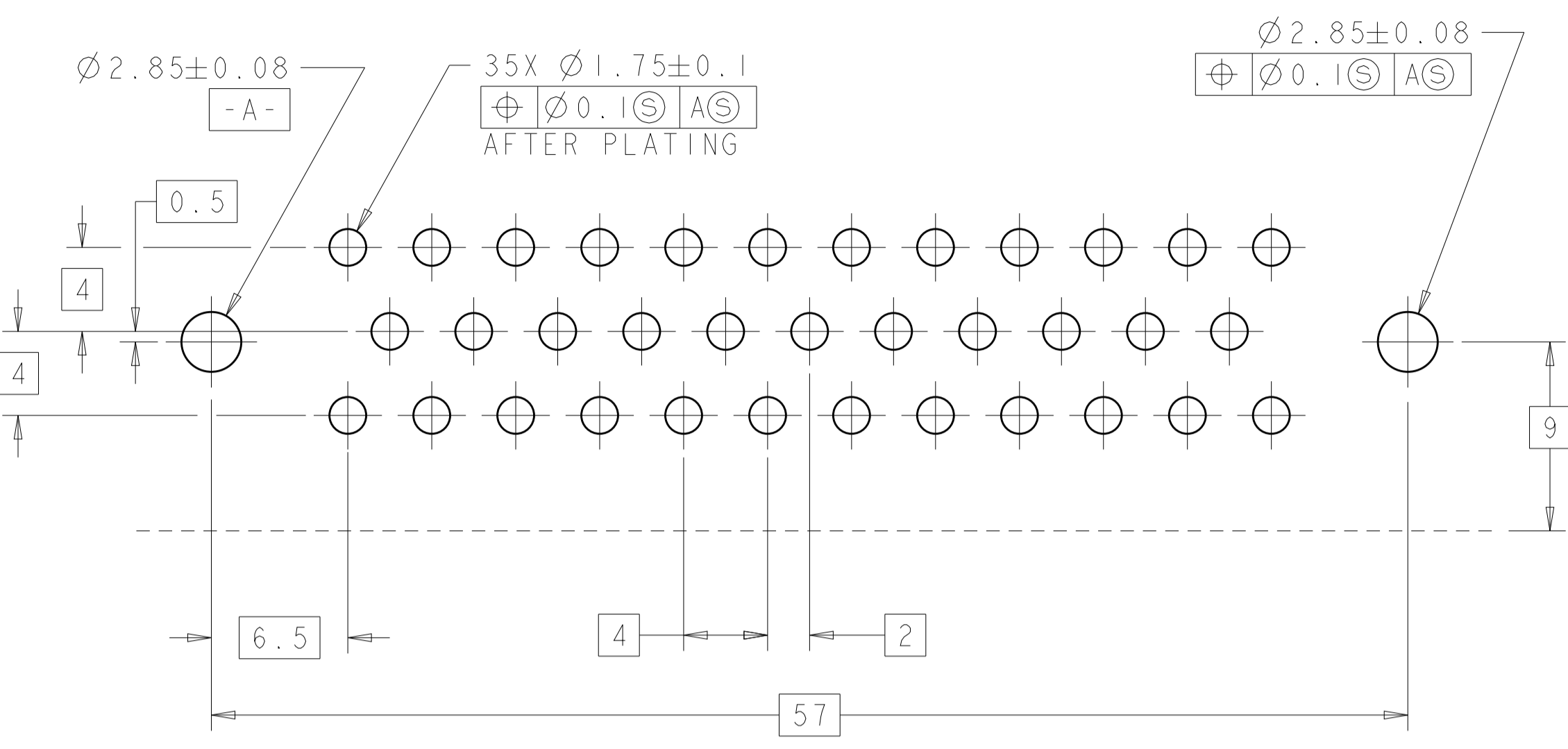
DURAGOLD	ORANGE	1-776180-6
DURAGOLD	BLUE	1-776180-5
DURAGOLD	GRAY	1-776180-4
DURAGOLD	NATURAL (WHITE)	1-776180-2
DURAGOLD	BLACK	1-776180-1
TIN	BLUE	776180-5
TIN	GRAY	776180-4
TIN	NATURAL (WHITE)	776180-2
TIN	BLACK	776180-1
FINISH	HEADER COLOR	PART NUMBER

THIS DRAWING IS A CONTROLLED DOCUMENT.		OWN: R. VESTAL 31DEC2002	TE Connectivity NAME: HEADER ASSEMBLY, 35 POSITION, RIGHT ANGLE, AMPSEAL SIZE: CAGE CODE DRAWING NO: A100779 C=776180 RESTRICTED TO:
DIMENSIONS: mm		CHK: D. CROWE 31DEC2002	
TOLERANCES UNLESS OTHERWISE SPECIFIED:		APVD: D. CROWE 31DEC2002	
0 PLC ± 1 PLC ±0.2 2 PLC ± 3 PLC ± 4 PLC ± ANGLES ± FINISH ±		PRODUCT SPEC: 108-1329 APPLICATION SPEC: 114-16016 WEIGHT: - CUSTOMER DRAWING	
MATERIAL: 4		SCALE: 4:1 SHEET 1 OF 2 REV: H7	

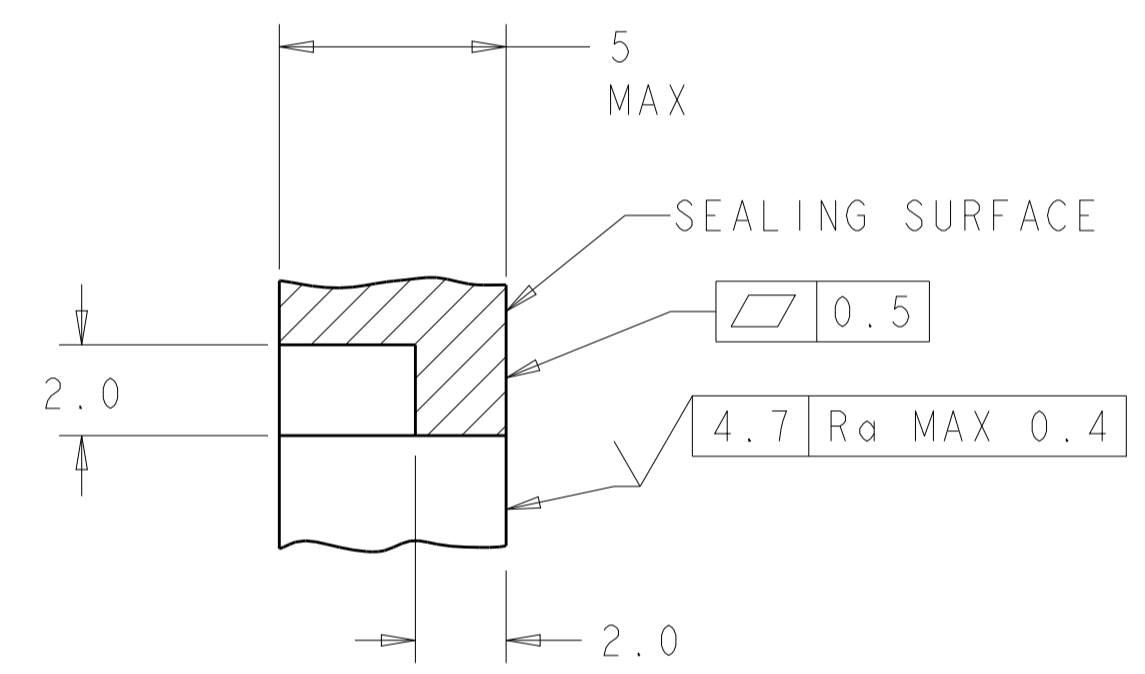
REVISIONS				
P.	LTM	DESCRIPTION	DATE	APVD
-	-	SEE SHEET 1	-	-



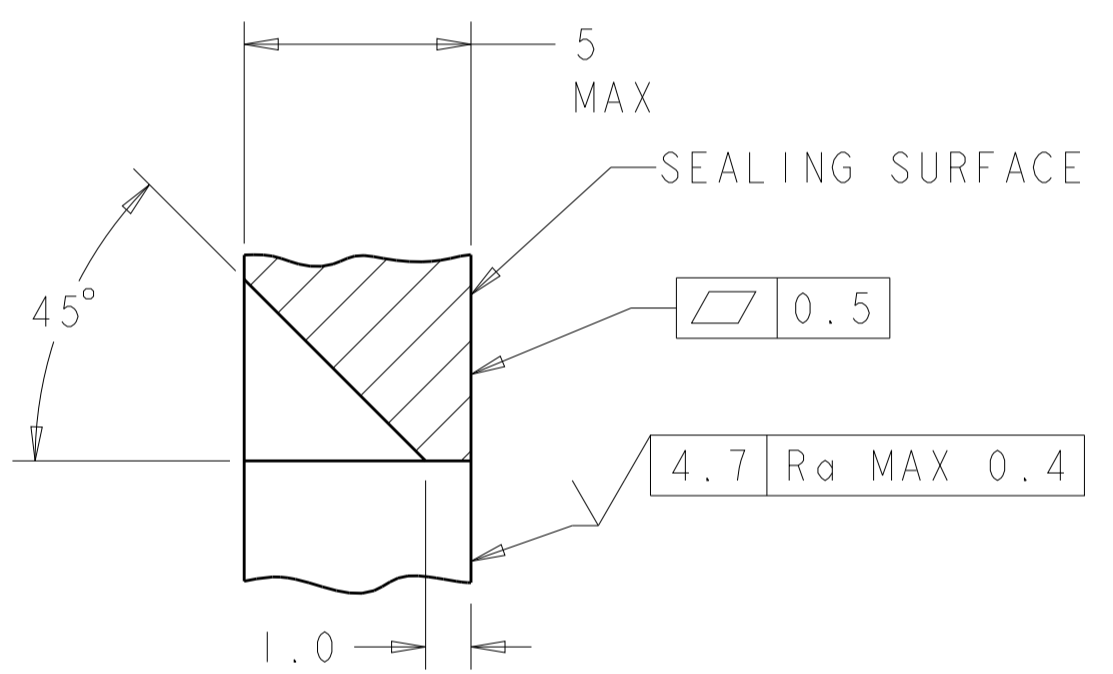
RECOMMENDED MOUNTING HOLE LAYOUT FOR 5.0 MAX THICK PANEL SCALE 3:1



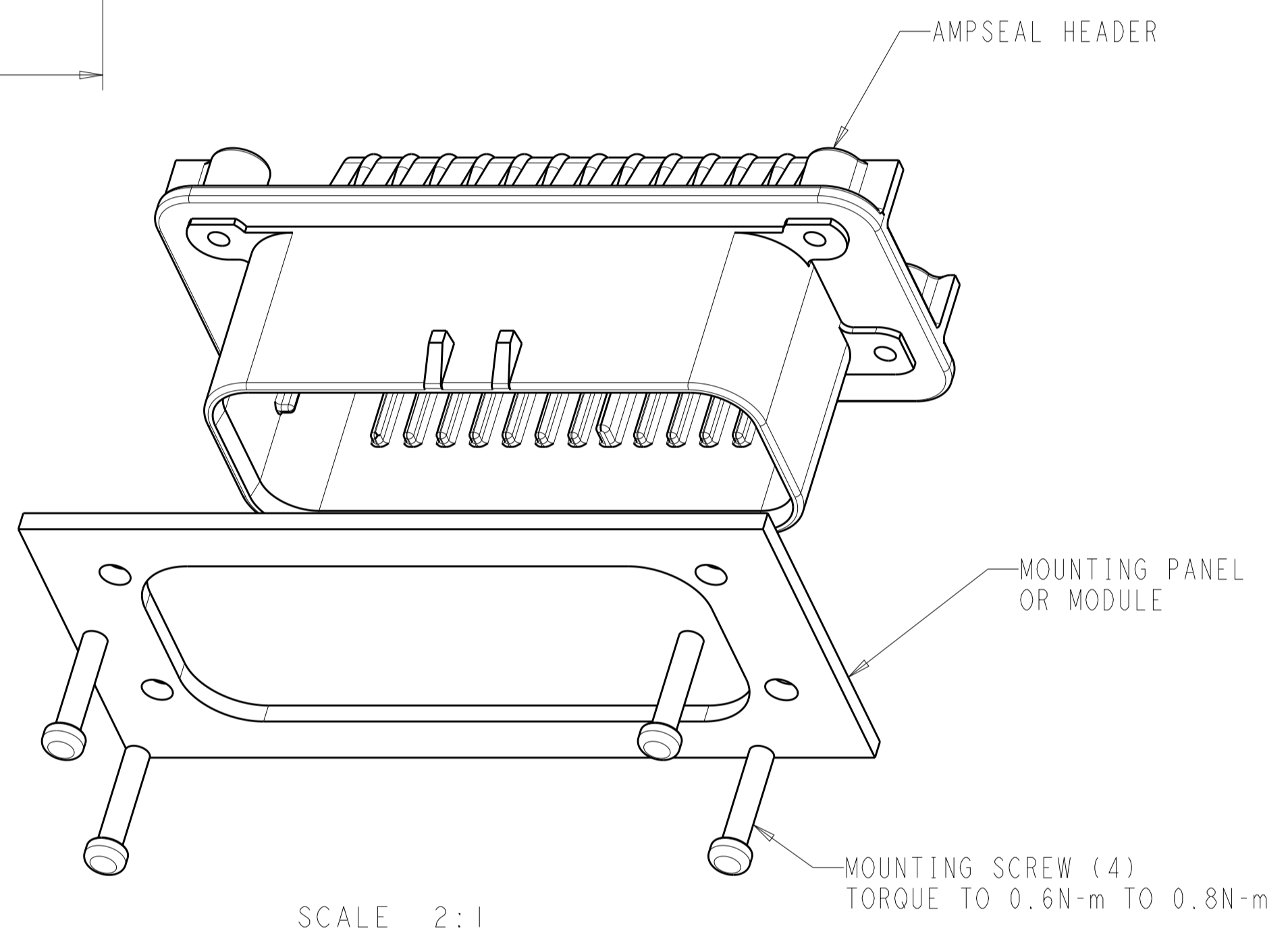
RECOMMENDED P.C. BOARD LAYOUT FOR 1.57 THICK P.C. BOARD



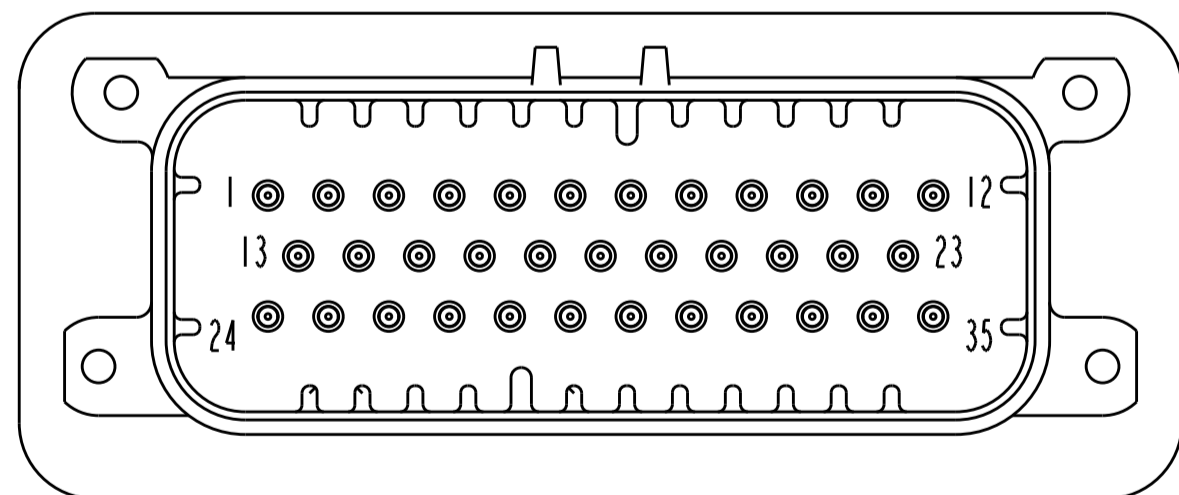
SECTION Z-Z OPTIONAL CONSTRUCTION IF THICKNESS IS GREATER THAN 2.0 SCALE 6:1



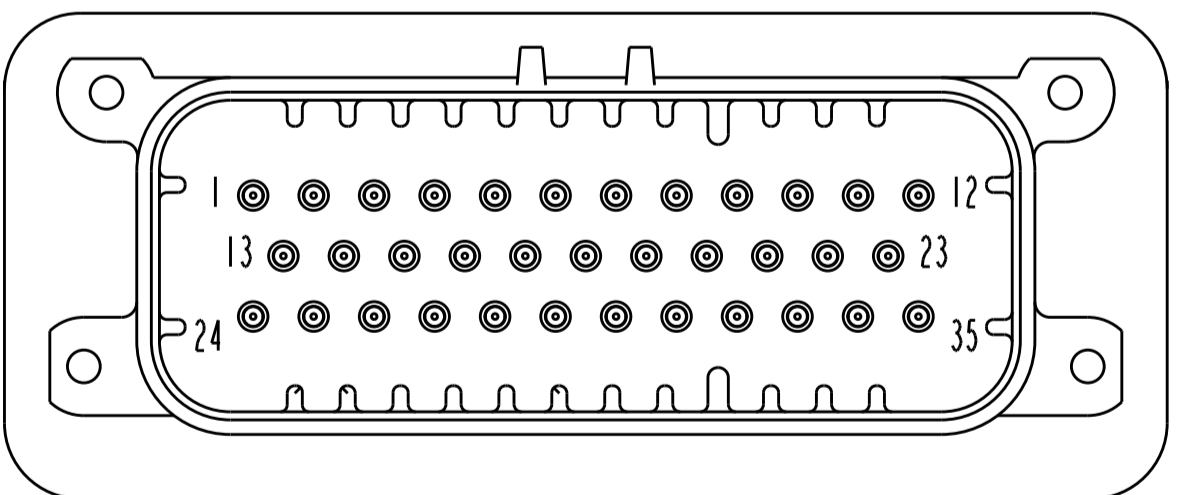
SECTION Z-Z OPTIONAL CONSTRUCTION IF THICKNESS IS GREATER THAN 2.0 SCALE 6:1



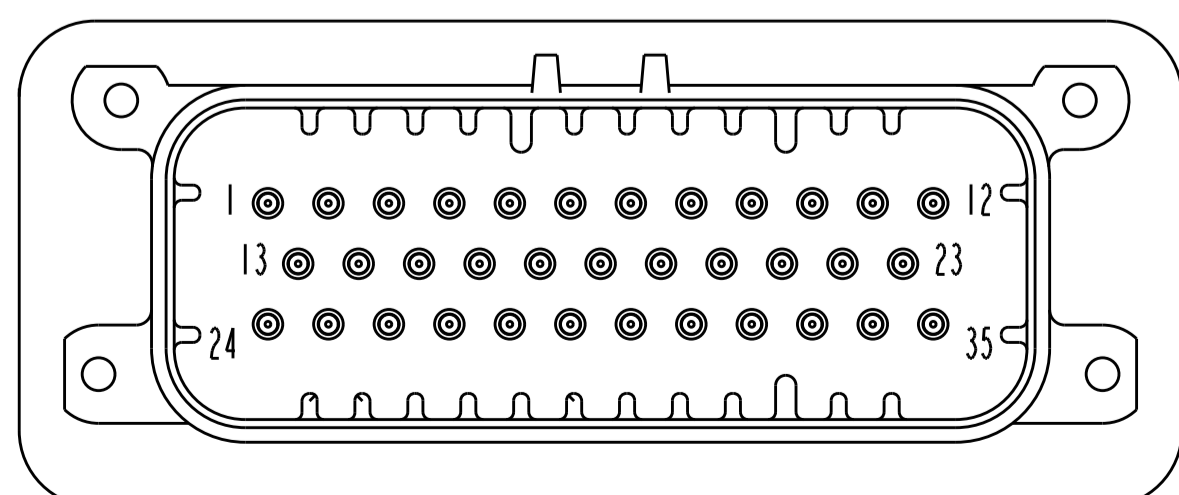
SCALE 2:1



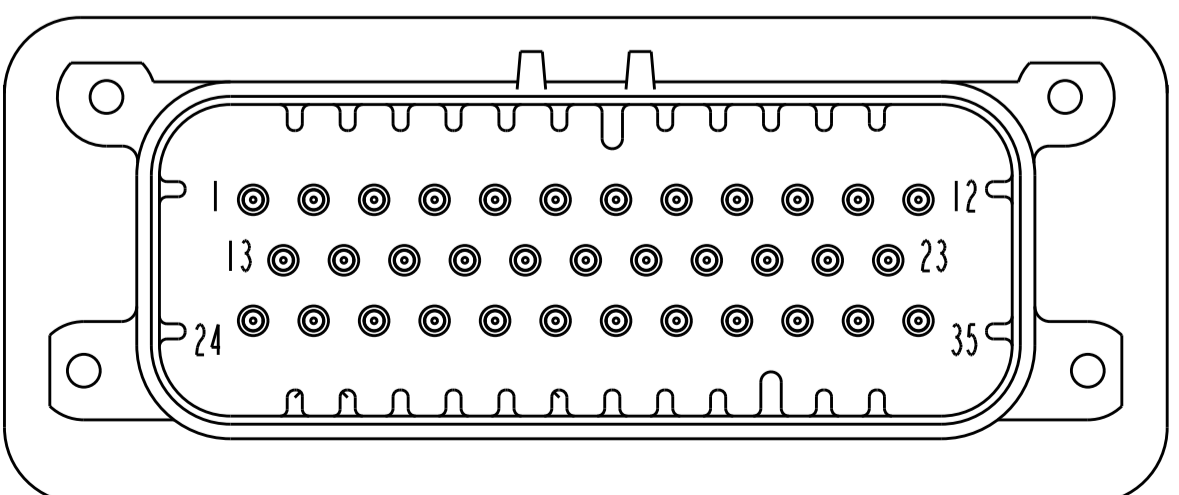
776180-2 & 1-776180-2 KEY LOCATION AS SHOWN SCALE 2:1



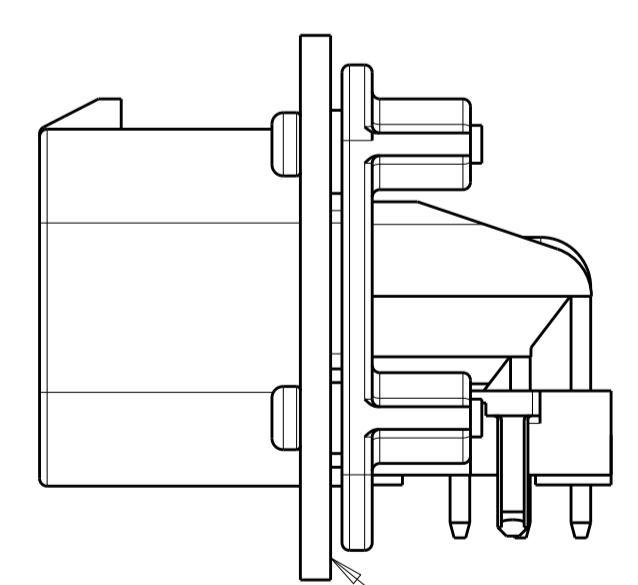
776180-4 & 1-776180-4 KEY LOCATION AS SHOWN SCALE 2:1



776180-5 & 1-776180-5 KEY LOCATION AS SHOWN SCALE 2:1



1-776180-6 KEY LOCATION AS SHOWN SCALE 2:1



SCALE 2:1

ENSURE THE HEADER IS FLUSH TO THE PANEL FACE ALL AROUND BEFORE TIGHTENING TO FINAL TORQUE

THIS DRAWING IS A CONTROLLED DOCUMENT.		OWN: R. VESTAL 31DEC2002	TE Connectivity
DIMENSIONS: mm		CHK: D. CROWE 31DEC2002	
TOLERANCES UNLESS OTHERWISE SPECIFIED:		APVD: D. CROWE 31DEC2002	NAME: HEADER ASSEMBLY, 35 POSITION, RIGHT ANGLE, AMPSEAL
0 PLC	±	PRODUCT SPEC	SIZE: CAGE CODE DRAWING NO. RESTRICTED TO
1 PLC	±0.2	108-1329	A100779C=776180
2 PLC	±	APPLICATION SPEC	SCALE 4:1 SHEET 2 OF 2 REV H7
3 PLC	±	114-16016	
4 PLC	±	WEIGHT	
ANGLES	±	CUSTOMER DRAWING	
MATERIAL			
FINISH			